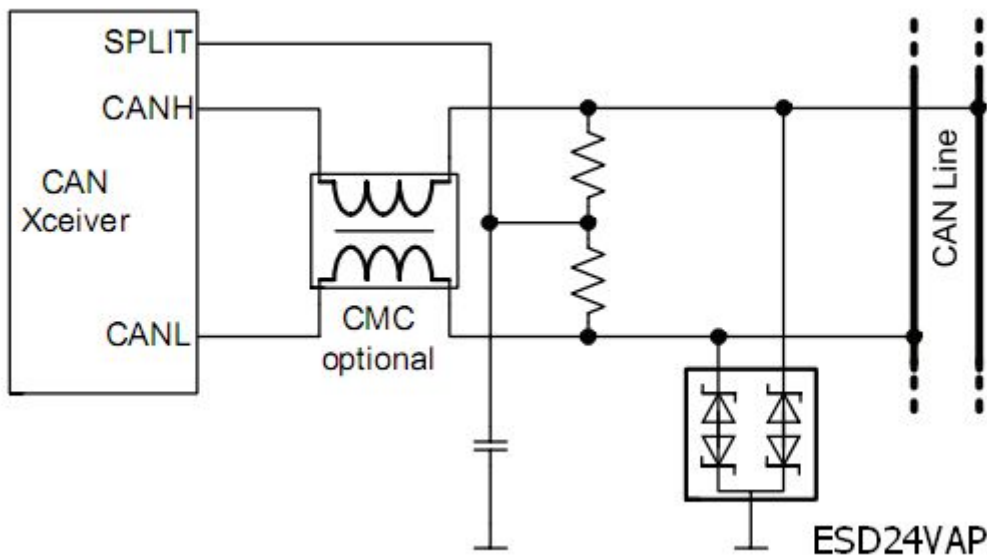
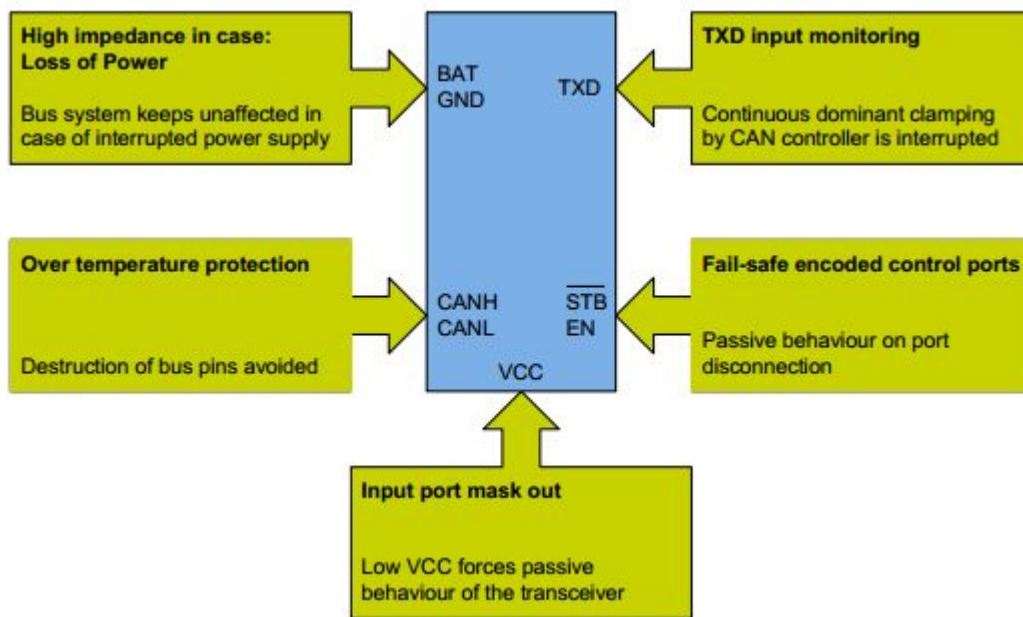


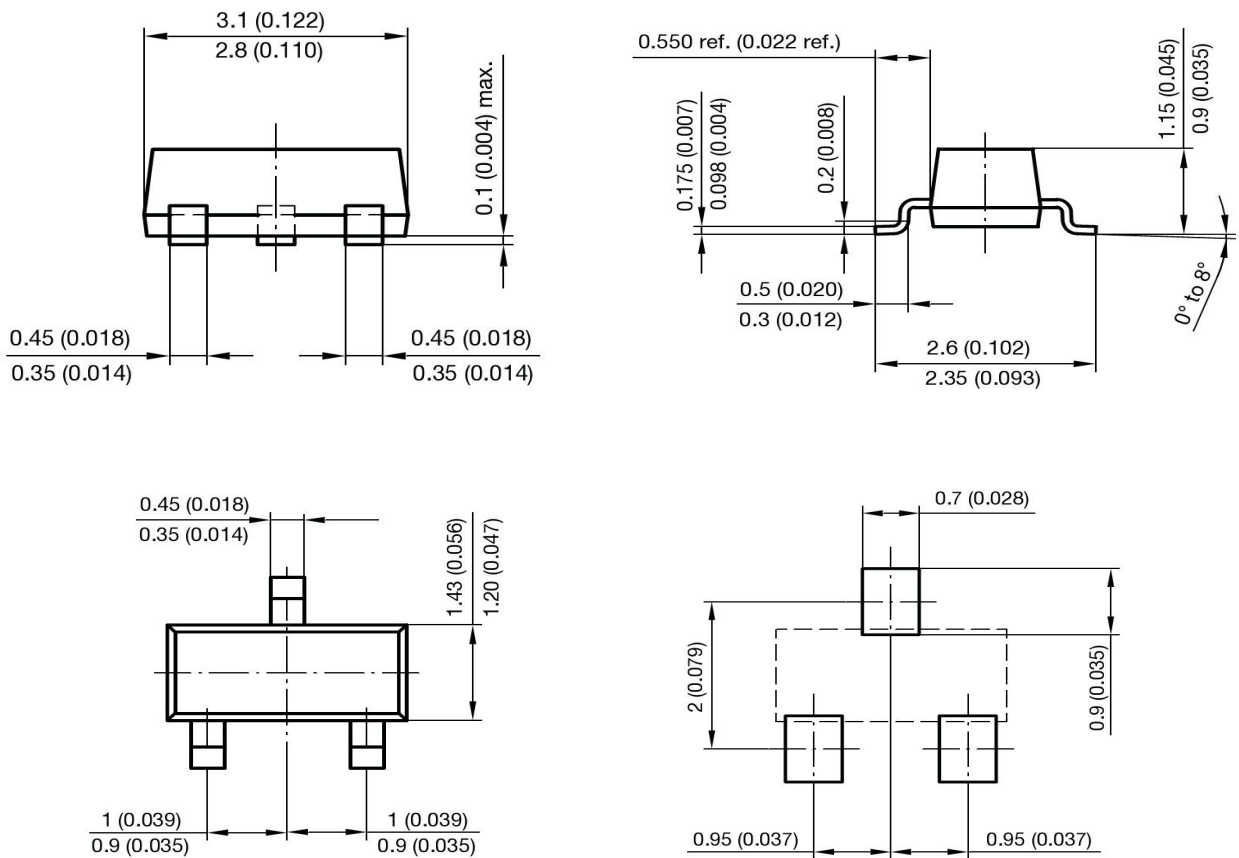
YINT's solutions protect two automotive Controller Area Network (CAN) bus lines from the damage caused by ESD and other transients. They can be used with high-speed and fault-tolerant CAN buses.



ESD24VAP Electrical Characteristics (T = 25° C)

Parameter	Symbol	Conditions	Min.	Typ.	Max.	Units
Reverse Stand-off Voltage	V_{RWM}				24	V
Reverse Breakdown Voltage	V_{BR}	$I_t = 1mA$	26.7			V
Reverse Leakage Current	I_R	$V_R = V_{RWM}$			1	μA
Clamping Voltage	V_C	$I_{PP}=1A, t_P = 8/20\mu s$			43	V
Peak pulse Current	I_{PP}	$t_P = 8/20\mu s$			5	A
Junction Capacitance	C_J	$V_R=0V, f = 1MHz$ Between I/O pins and GND		60		pF

PACKAGE OUTLINE DIMENSIONS in millimeters (inches) :SOT - 23



Mounting Pad Layout