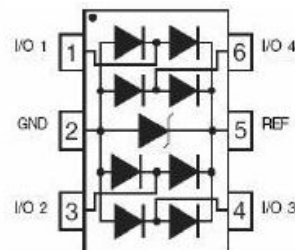


The VGA Input Port

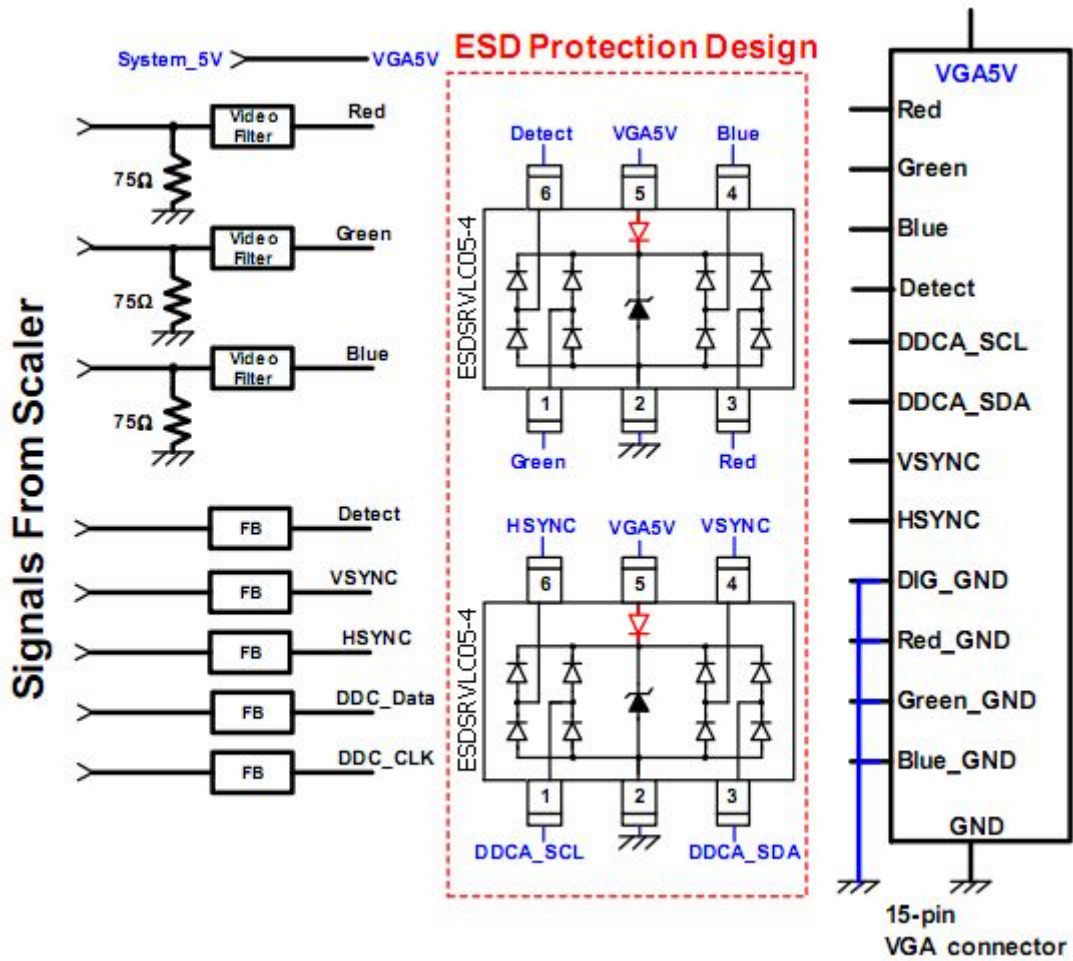
In most of VGA input circuit designs, there are always two power supplies, one is from the connector's DSUB-5V pin which potential comes from another VGA output port, the other is from the own power supply circuit of the VGA input port, system 5V. The VDD pin of ESDSRVLC05-4 is directly connected to the connector's DSUB-5V pin to block the ESD event which comes from the DSUB-5V pin.



SOT-23-6L



The ESD design for a **VGA OUTPUT** port which two **ESDSRVLC05-4** are used.



The PCB layout example for a VGA port with two **ESDSRVLC05-4** being used.

